

Kit accessories Electro power (optional)



>400H-382



>400H-382



>400H-383



>400H-383



>400H-384



>400H-385



>400H-385



>400H-313



>400H-315



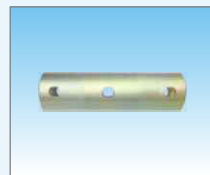
>400H-315



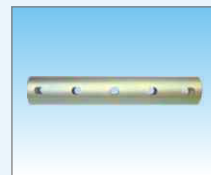
>400H-386



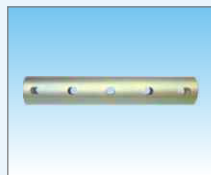
>400H-386



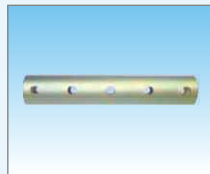
>400H-386



>400H-387



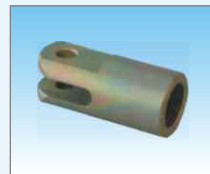
>400H-387



>400H-387



>400H-388



>400H-388



>400H-389



>400H-389



>400H-390 (10 st)



>400H-391 (10 st)



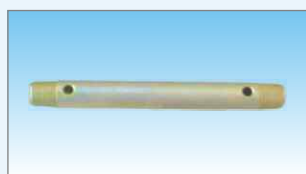
>400H-392



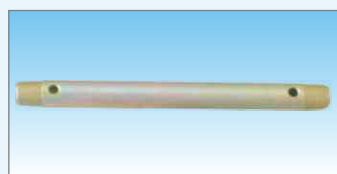
>400H-393



>400H-394



>400H-395



>400H-396

electro power

electric body repair system



Dataliner[®]

Dataliner AB
 Box 5070 630 05 Eskilstuna
 Tel 016-14 71 40 Fax 016-12 28 71
 E-mail info@dataliner.se www.dataliner.se

www.dataliner.se

Dataliner[®]

> Electro power system - standard kit -



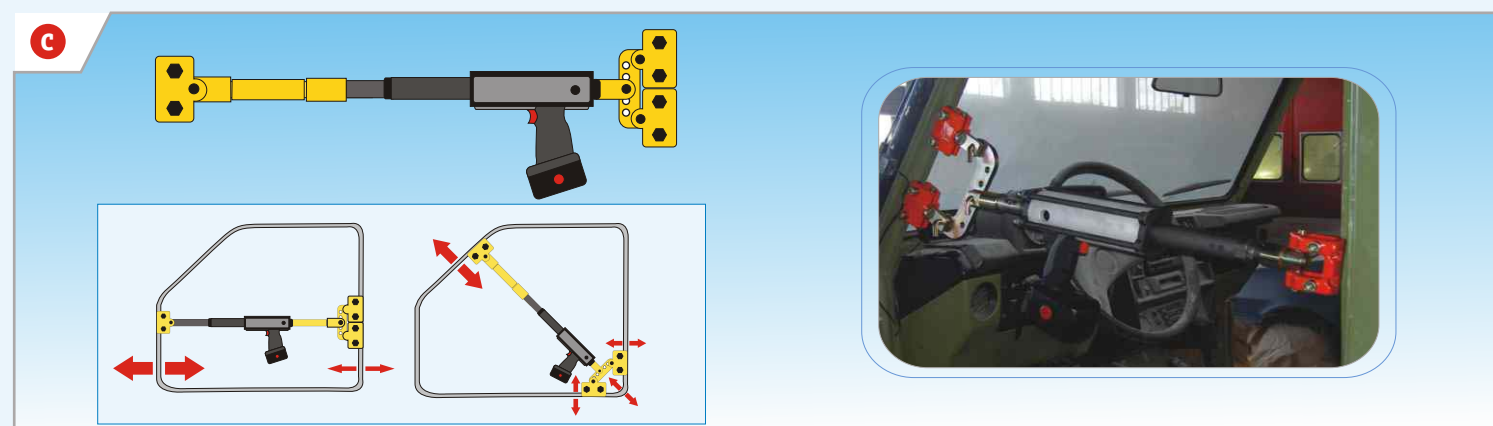
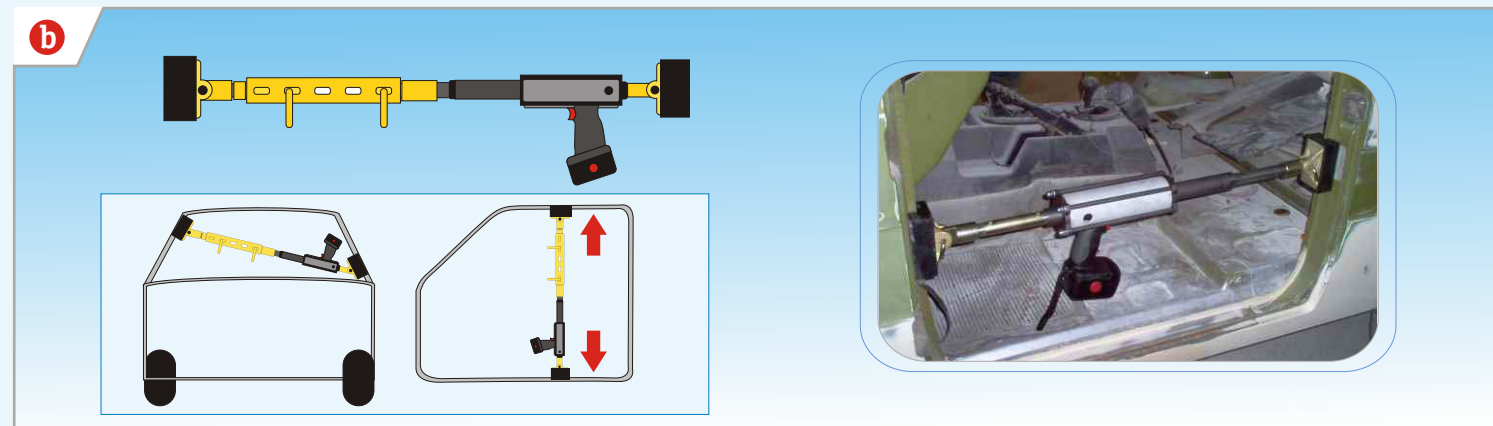
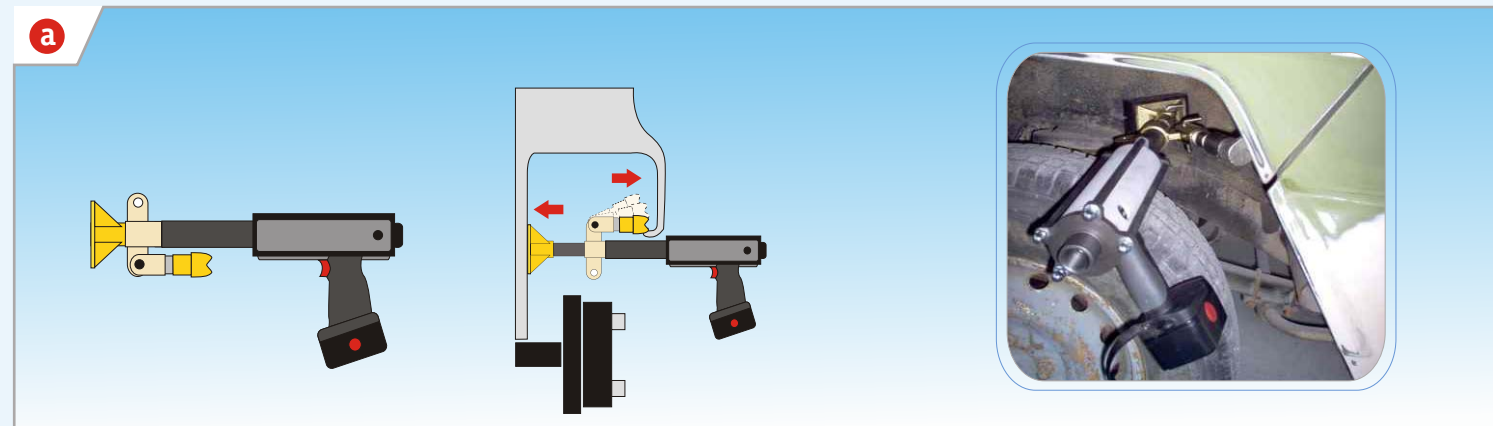
**THE ONLY EXISTING PUSHING AND PULLING SYSTEM
ELECTRIC BATTERY 14.4V OPERATED
PATENTED**

- PULLING POWER: 5 Ton.
- PUSHING POWER: 5 Ton.
- PISTON STROKE: 130 mm

Standard kit Packaging dimensions: 425x620x210 mm
Standard kit Total weight: 18 Kg

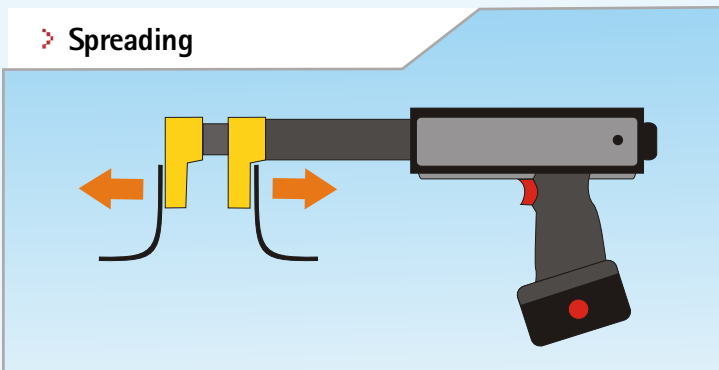
Accessories kit Packaging dimensions: 425x620x150 mm
Accessories kit Total weight: 20 Kg

Applications

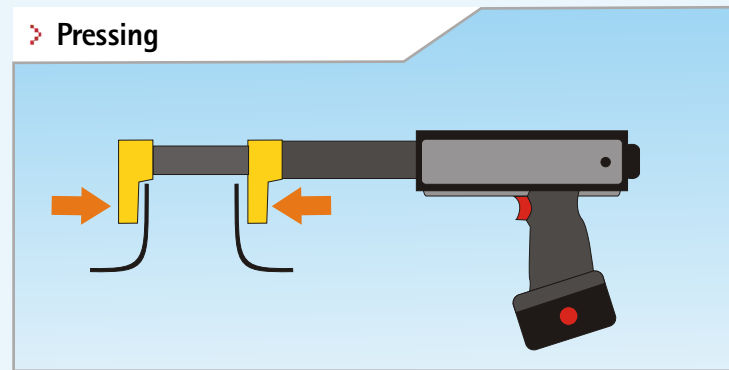


Applications

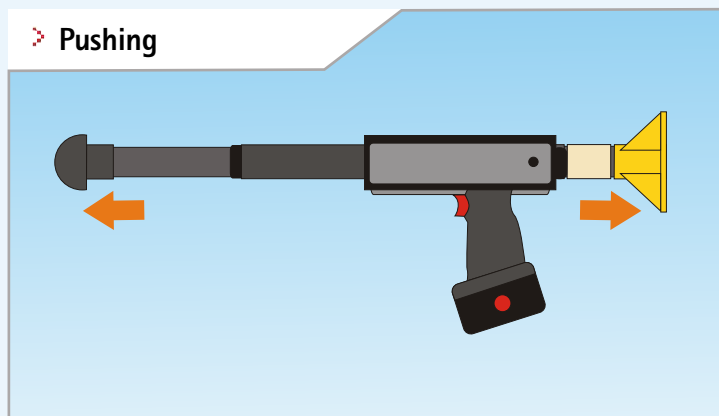
> Spreading



> Pressing



> Pushing



> Pulling

